

5 Channel RGB+CCT LED RF Controller

Model No.: V5-L

5 Channels/Stepless dimming/Wireless remote control/Push Dim/Auto-transmitting/Synchronize



FC CE RoHS EMC RED

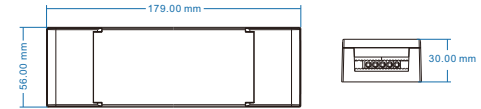
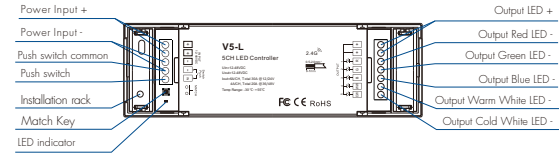
Features

- Match with RF 2.4G single zone or multiple zone RGB+CCT remote control.
- One RF controller accept up to 10 remote control.
- 4096 levels 0-100% dimming smoothly without any flash.
- Built in 10 dynamic mode, include jump or gradual change style.
- Auto-transmitting function: Controller automatically transmit signal to another controller with 30m control distance.
- Synchronize on multiple number of controllers.
- Connect with external push switch to achieve on/off and 0-100% dimming function.

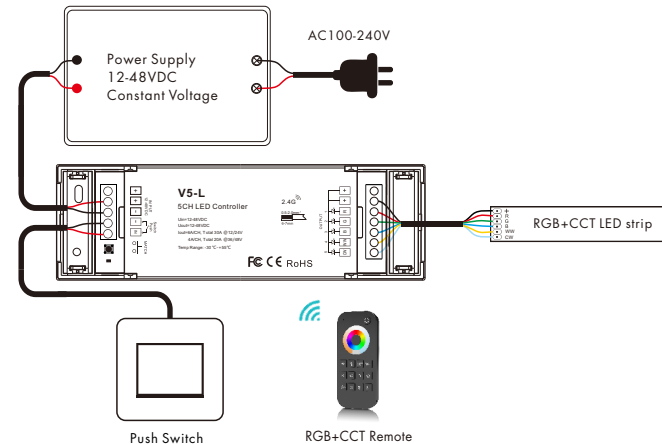
Technical Parameters

Input and Output		Dimming data	
Input voltage	12-48VDC	Input signal	RF 2.4GHz + Push Dim
Input current	30.5A	Control distance	30m(Barrier-free space)
Output voltage	5 x (12-48)VDC	Dimming gray scale	4096 (2^12) levels
Output current	6A/CH @ 12/24V 4A/CH @ 36/48V	Dimming range	0 - 100%
Output type	Constant voltage	Dimming curve	Logarithmic
Environment		PWM Frequency	500Hz (default)
Operation temperature	Ta: -30°C ~ +55°C	Safety and EMC	
Case temperature (Max.)	Tc: +85°C	EMC standard (EMC)	EN301 489, EN 62479
IP rating	IP20	Safety standard(LVD)	EN60950
Warranty and Protection		Radio Equipment(RED)	EN300 328
Warranty	5 years	Certification	CE, EMC, LVD, RED
Protection	Reverse polarity Short circuit Over heat		

Mechanical Structures and Installations



Wiring Diagram



Note: Long press match key for 10s, RGB and CCT light can not be on at the same time.
Long press match key for 15s, RGB and CCT light can be on at the same time.
above operation will also restore the factory setting.

Match Remote Control (two match ways)

End user can choose the suitable match/delete ways. Two options are offered for selection:

Use the controller's Match key

Match:

Short press match key, immediately press on/off key (single zone remote) or zone key (multiple zone remote) on the remote.

The LED indicator fast flash a few times means match is successful.

Delete:

Press and hold match key for 5s to delete all match, The LED indicator fast flash a few times means all matched remotes were deleted.

Use Power Restart

Match:

Switch off the power, then switch on power again, immediately short press on/off key (single zone remote) or zone key (multiple zone remote) 3 times on the remote. The light blinks 3 times means match is successful.

Delete:

Switch off the power, then switch on power again, immediately short press on/off key (single zone remote) or zone key (multiple zone remote) 5 times on the remote. The light blinks 5 times means all matched remotes were deleted.

Available remote controller



Push Dim

Click	ON/OFF
Double Click	Change from color mode to tunable white mode and vice-versa
Long press(>1s) from OFF	If on color mode change rotation speed; If on tunable white mode color temperature UP/DOWN (turn off and turn on to return dimming)
Long press(>1s) from ON	If on color mode start/stop color rotation; If on tunable white mode dimming UP/DOWN



We can select 4 rotation speed:

- 10 flash/s means 6 seconds color rotation
- 5 flash/s means 30 seconds color rotation
- 2 flash/s means 1 minute color rotation
- 1 flash/s means 6 minutes color rotation

Dynamic mode list

No.	Name	No.	Name
1	RGB jump	6	RGB fade in and out
2	RGB smooth	7	Red fade in and out
3	6 color jump	8	Green fade in and out
4	6 color smooth	9	Blue fade in and out
5	Color temperature smooth	10	White fade in and out

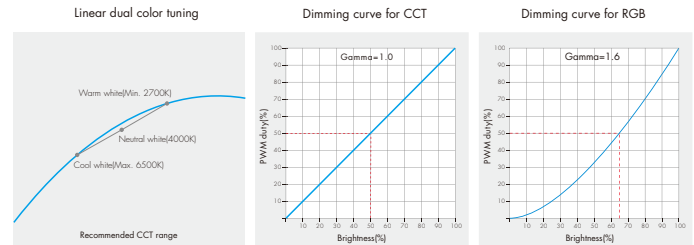
Dual color control

CH4=Warm white LED

CH5=Cool white LED

Each channel can supply up to 144W(@24V) and white balance can be controlled as such:

Color temperature	Cool white	Neutral white	Warm white
Power distribution	CH4=0W,CH5=144W	CH4=144W,CH5=144W	CH4=144W,CH5=0W



Malfunctions analysis & troubleshooting

Malfunctions	Causes	Troubleshooting
No light	1. No power. 2. Wrong connection or insecure.	1. Check the power. 2. Check the connection.
Wrong color	1. Wrong connection of R/G/B/WW/CW wires.	1. Reconnect R/G/B/WW/CW wires.
Uneven intensity between front and rear, with voltage drop	1. Output cable is too long. 2. Wire diameter is too small. 3. Overload beyond power supply capability. 4. Overload beyond controller capability.	1. Reduce cable or loop supply. 2. Change wider wire. 3. Replace higher power supply. 4. Add power repeater.
No response from the remote	1. The battery has no power. 2. Beyond controllable distance. 3. The controller did not match the remote.	1. Replace battery. 2. Reduce remote distance. 3. Rematch the remote.